

# BR 120

## BRONZE BALL VALVE

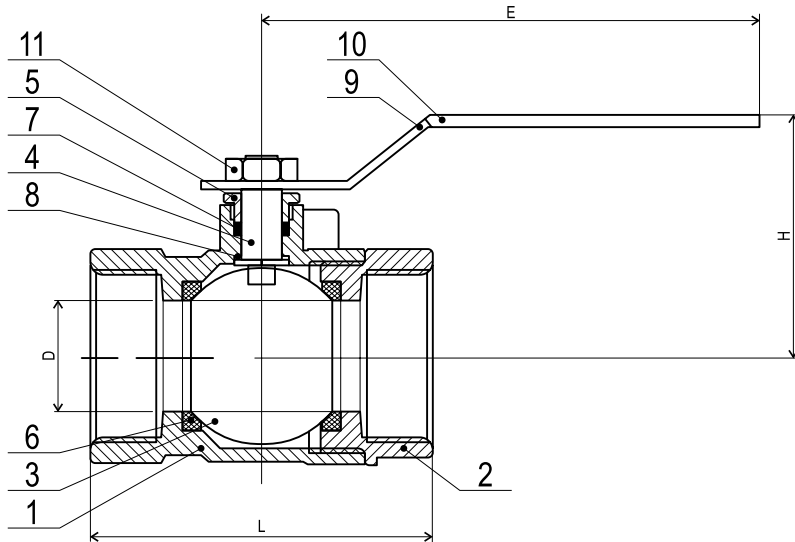
600 PSI / 41.4 BAR WOG

150 PSI / 10.3 BAR WSP

½"~1" FULL PORT

1¼"~4" CONVENTIONAL PORT

Conforms to MSS SP-110



### Specifications:

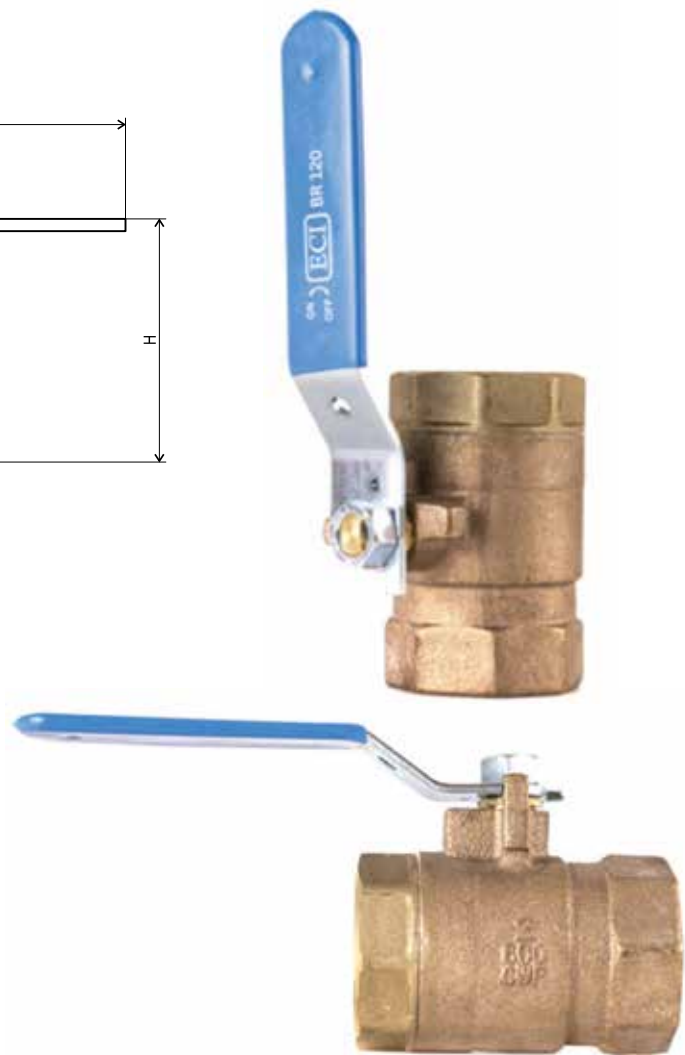
- WORKING PRESSURE:  
600 PSI / 41.4 BAR WOG  
150 PSI / 10.3 BAR WSP
- WORKING TEMPERATURE:  $T \leq 140^{\circ}\text{C}$
- PORT SIZE:  
½"~1" FULL PORT  
1¼"~4" RED PORT (CONVENTIONAL)
- TESTING PRESSURE: 100 PSI AIR FOR SHELL & SEAT
- TAPER PIPE THREADED TO NPT AND ISO 7-1 (ex. BS-21)
- SUITABLE MEDIA: WATER, OIL, AIR & STEAM

### Dimensions (mm)

DN	SIZE INCH	L	H	E	Weight(KGS)
15	½"	61	48	102	0,399
20	¾"	74	56	122	0,581
25	1"	86	65	122	0,889
32	1¼"	102	69	122	1.406
40	1½"	109	79	175	2.177
50	2"	117	84	175	3.039
65	2½"	150	91	175	3.856
80	3"	180	114	201	6.713

**LEAD**  
www.ecivalve.it

**ECI** EUROPEAN  
CASTING  
INDUSTRY



### Materials

No.	DESCRIPTION	BRONZE	LEAD FREE
1	Body	ASTM B584 C84400	ASTM C89844
2	Tailpiece	ASTM B584 C84400	ASTM C89844
3	Ball	ASTM B16 C36000 or B124 C37700	Stainless Steel 316
4	Stem	ASTM B16 C36000	ASTM C46400
5	Packing Nut	ASTM B16 C36000	ASTM B16 C36000
6	Ball Seat	15% Glass RPTFE	TEFLON PTFE
7	Packing	TEFLON PTFE	TEFLON PTFE
8	Thrust Washer	TEFLON PTFE	TEFLON PTFE
9	Handle	Steel-Zn.P.	Steel-Zn.P.
10	Handle Sleeve	Vinyl	Vinyl
11	Handle Nut	Steel-Zn.P.	Steel-Zn.P.

**ECI** EUROPEAN  
CASTING  
INDUSTRY

All data, descriptions and pictures contained in this leaflet may be subject to change without prior notice.

European Casting Industry Srl | Via Lazzaretto, 11 | 20124 Milan MI, Italia | P.Iva: 03228761205 | www.ecivalve.it | info@ecivalve.it