

BR 140

BRONZE BALL VALVE

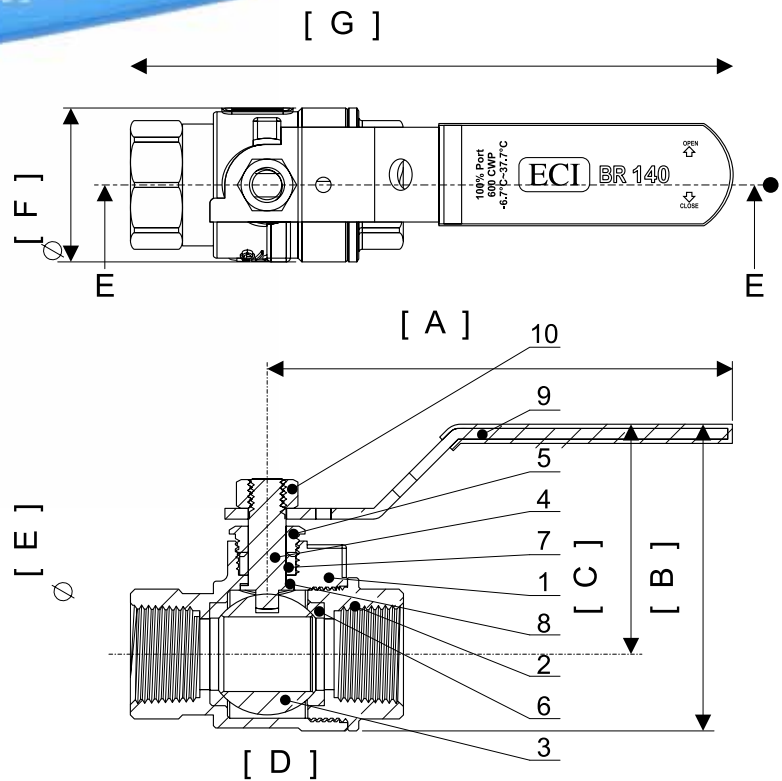
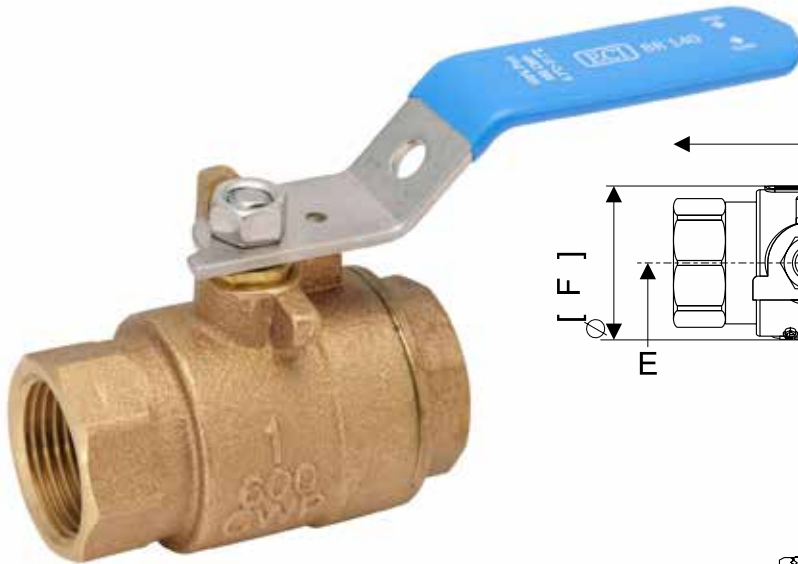
WORKING PRESSURE 600PSI/41 BAR CWP

STAINLESS STEEL 316 BALL

CONFORMS TO MSS SP110

www.ecivalve.it

ECI EUROPEAN
CASTING
INDUSTRY



Materials

No.	DESCRIPTION	MATERIAL
1	Body	Bronze C84400
2	Tailpiece	Bronze C84400
3	Ball	Stainless Steel 316
4	Stem	Stainless Steel 316
5	Packing nut	Brass
6	Ball seat	PTFE
7	Packing gland	PTFE
8	Thrust washer	PTFE
9	Handle	Stainless Steel 304 + Vinyl Grip
10	Nut	Stainless Steel 304

Specifications

- WORKING PRESSURE: 41 BAR UP TO 37°C 7 BAR AT 140°C
- MAX WORKING TEMPERATURE: ≤ 140°C
- PORT SIZE: 1/2" UP TO 2" FULL PORT
- TAPER PIPE THREADED TO BSPT (ISO 7) OR NPT
- SUITABLE MEDIUM: WATER, SEA WATER, OIL, AIR AND STEAM

Dimension table BR140 (mm)

DN	A	B	C	D	E	F	G	WEIGHT (KG)
15	100.6	66.85	50.5	61.8	12.7	32.7	130.45	0.30
20	121	82	61.5	71	19.1	41	156.6	0.51
25	121	90.5	65.7	83.4	25	50	162.7	0.79
32	141	99.21	70.1	93.6	32	58.5	188	1.02
40	177.4	120.95	86.7	103.6	38	67.4	229.35	1.56
50	177.4	138.5	94.5	116.5	50	88	235.7	2.60

ECI EUROPEAN
CASTING
INDUSTRY

All data, descriptions and pictures contained in this leaflet may be subject to change without prior notice.

European Casting Industry Srl | Via Lazzaretto, 11 | 20124 Milan MI, Italia | P.Iva: 03228761205 | www.ecivalve.it | info@ecivalve.it