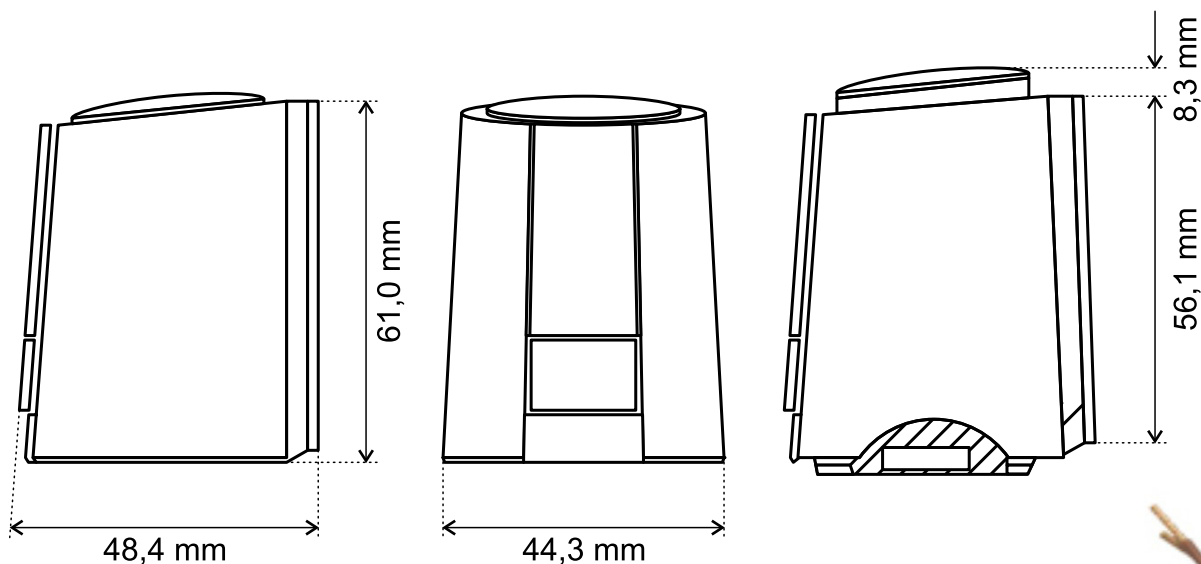


V1100/V1200

Thermo Electric actuator normally Closed ON/OFF
230V/24V for Pressure Independent Control Valve BS925

www.ecivalve.it

ECI EUROPEAN
CASTING
INDUSTRY



Dimensions (mm)

A	B	C	D	E	Weight(KGS)
48.4	61	44.3	59.1	8.3	0.108

Specifications:

V1100

- Supply Voltage: 230V AC \pm 10%, 50/60Hz
- Type: Thermal
- Power consumption: 1W
- Control Signal: ON/OFF
- Failsafe Function: Yes, normally closed
- End switch: No
- Operation time: Aprox 4 minutes
- Actuation force: 100N \pm 5%
- Room Temperature: 0°C to 60 °C
- Fluid Temperature: 0°C to 100°C
- Storage Temperature: -25°C to 60°C
- Cable: Fixed, 2 wires x 0.75mm² PVC, 1m standard M30x1.5mm connection
- Conforms to EN 60730 standard

V1200

- Supply Voltage: 24V AC/DC -10% +20% , 50/60Hz
- Type: Thermal
- Power consumption: 1W
- Control Signal: ON/OFF
- Failsafe Function: Yes, normally closed
- End switch: No
- Operation time: Aprox 4 minutes
- Actuation force: 100N \pm 5%
- Room Temperature: 0°C to 60 °C
- Fluid Temperature: 0°C to 100°C
- Storage Temperature: -25°C to 60°C
- Cable: Fixed, 2 wires x 0,75mm² PVC, 1m standard M30x1.5mm connection
- Conforms to EN 60730 standard

ECI EUROPEAN
CASTING
INDUSTRY

All data, descriptions and pictures contained in this leaflet may be subject to change without prior notice.

European Casting Industry Srl | Via Lazzaretto, 11 | 20124 Milan MI, Italia | P.Iva: 03228761205 | www.ecivalve.it | info@ecivalve.it