

BR 520

BRONZE GATE VALVE

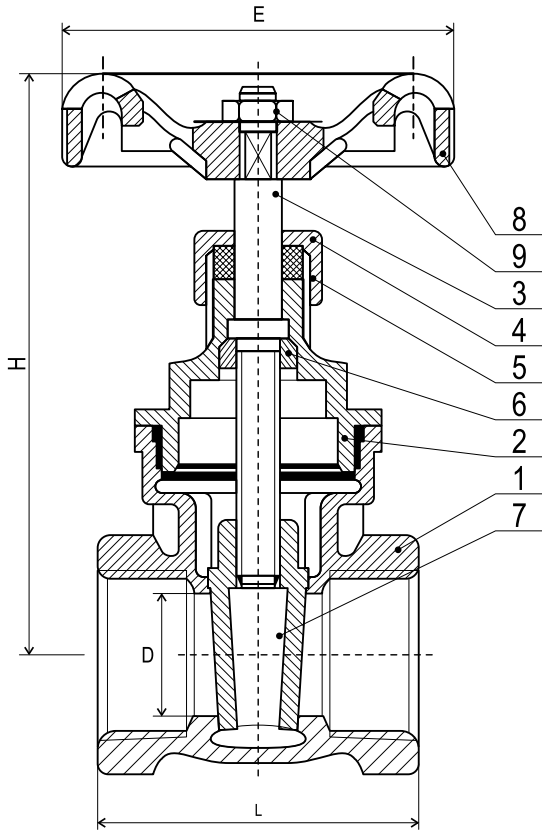
PN 20

Non-Rising stem

Conforms to BS 5154



www.ecivalve.it



Specifications:

- PRESSURE RATING: PN20
- SUITABLE MEDIA: WATER, OIL, AIR & STEAM
- WORKING TEMPERATURE: $T \leq 170^{\circ}\text{C}$
- TAPER PIPE THREAD TO NPT AND ISO 7-1 (EX. BS-21)

Dimensions (mm)

DN	SIZE INCH	F	L	H	D	Weight(KGS)
15	½"	12.7	50	74	52	0.268
20	¾"	19.1	54	85	52	0.395
25	1"	25.4	62	106	70	0.585
32	1¼"	31.8	70	113	70	0.857
40	1½"	38.2	77	132	92	1.265
50	2"	50.9	87	155	92	1.900

Materials

No.	DESCRIPTION	MATERIAL
1	Body	Bronze CC491K
2	Bonnet	Bronze CC491K
3	Stem	DZR Brass CW602N
4	Packing Nut	Brass CW617N
5	Packing	P.T.F.E
6	Stem Bush	DZR Brass CW602N
7	Disc	Bronze CC491K
8	Handwheel	Aluminum
9	Handwheel Nut	Brass CW614N



All data, descriptions and pictures contained in this leaflet may be subject to change without prior notice.

European Casting Industry Srl | Via Lazzaretto, 11 | 20124 Milan MI, Italia | P.Iva: 03228761205 | www.ecivalve.it | info@ecivalve.it