

G 301

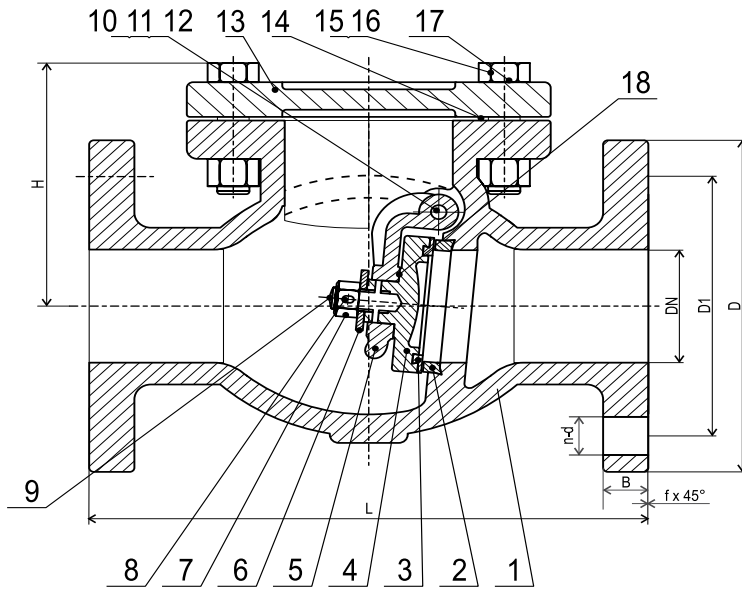
CAST IRON SWING CHECK VALVE

CLASS 125

Conforms to MSS SP-71

www.ecivalve.it

ECI EUROPEAN CASTING INDUSTRY



Specifications:

- 125 PSI/8.6 BAR SATURATED STEAM TO 449°F/232°C 200 PSI/13.8 BAR COLD WORKING PRESSURE FROM -20°F TO 150°F/-29°C TO 66°C
- TEST PRESSURES HYDRAULIC: BODY: 24 BAR, SEAT: 17.6 BAR
- DESIGN AND MANUFACTURE CONFORM TO MSS SP-71
- FACE TO FACE DIMENSIONS CONFORM TO ANSI B16.10
- FLANGE DRILLED CONFORMS TO ANSI B16.1 CLASS 125
- SUITABLE MEDIA: WATER & OIL
- BOLTED COVER
- SUITABLE FOR MOUNTING IN HORIZONTAL AND VERTICAL PIPELINES (WITH THE FLOW UPWARDS OR IN ANY INTERMEDIATE POSITION)

Dimensions (mm)

DN	SIZE INCH	L	D	D1	B	n-d	H	WEIGHT KGS
50	2	203	152	121	15.9	4-19	112	10.4
65	2.1/2	216	178	140	17.5	4-19	132	14.2
80	3	241	190	153	19.0	4-19	141	19.0
100	4	292	229	191	23.8	8-19	162	33.3
125	5	330	254	216	23.8	8-22	192	49.0
150	6	356	279	241	25.4	8-22	211	63.6
200	8	495	343	299	28.6	8-22	270	112.0
250	10	622	406	362	30.2	12-25	316	189.5
300	12	698	483	432	31.8	12-25	357	247.0
350	14	787	533	477	34.9	12-29	560	419
400	16	914	597	540	36.5	16-29	589	542
450	18	914	635	578	39.7	16-32	645	656
500	20	1016	699	635	42.9	20-32	702	832
600	24	1219	813	750	47.6	20-35	812	1260

Materials

No.	DESCRIPTION	MATERIAL	AMERICAN STANDARD
1	Body	Cast Iron	ASTM A 126 B
2	Seat Ring	Bronze	ASTM B 62
3	Disc Ring	Bronze	ASTM B 62
4	Disc	Cast Iron	ASTM A 126 B
5	Hanger	Ductile Iron	ASTM A536 60-40-18
6	Washer	Steel	ASTM A 307
7	Nut	Steel	ASTM A 307
8	Split Pin	Stainless Steel	ANSI 304
9	Disc Screw	Steel	ASTM A 307
10	Side Pin	Brass	ASTM B584 C84400
11	Gasket	Steel Cardboard	-
12	Hanger Pin	Stainless Steel	ANSI 304
13	Bonnet	Cast Iron	ASTM A 126 B
14	Gasket	Graphite	Non Asbestos
15	Bolt	Steel	ASTM A 307
16	Nut	Steel	ASTM A 307
17	Identification Plate	Aluminum	-
18	Pin	Stainless Steel	ANSI 304

ECI EUROPEAN CASTING INDUSTRY

All data, descriptions and pictures contained in this leaflet may be subject to change without prior notice.

European Casting Industry Srl | Via Lazzaretto, 11 | 20124 Milan MI, Italia | P.Iva: 03228761205 | www.ecivalve.it | info@ecivalve.it